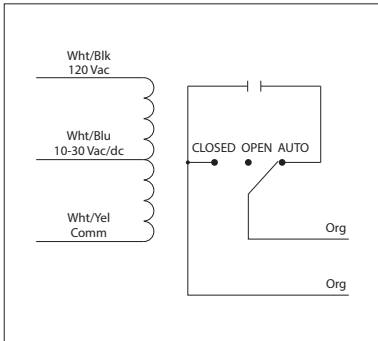


## 10 AMP PILOT CONTROL RELAYS

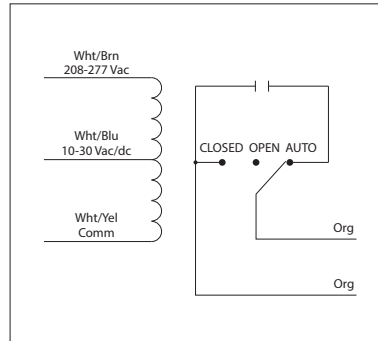
### RIBU1S

Enclosed Relay 10 Amp SPST-N/O + Override with 10-30 Vac/dc/120 Vac Coil



### RIBH1S

Enclosed Relay 10 Amp SPST-N/O + Override with 10-30 Vac/dc/208-277 Vac Coil



RELAYS

## SPECIFICATIONS

**# Relays & Contact Type:** One (1) SPST Continuous Duty Coil

**Expected Relay Life:** 10 million cycles minimum mechanical

**Operating Temperature:** -30 to 140° F

**Humidity Range:** 5 to 95% (noncondensing)

**Operate Time:** 20ms

**Relay Status:** LED On = Activated

**Dimensions:** 2.30" x 3.20" x 1.80" with .50" NPT nipple

**Wires:** 16", 600V Rated

**Approvals:** UL Listed, UL916, UL864, C-UL California State Fire Marshal

**Housing Rating:** UL Accepted for Use in Plenum, NEMA 1

**Gold Flash:** Yes

**Override Switch:** Yes

### Contact Ratings:

10 Amp Resistive @ 277 Vac

480 VA Pilot Duty @ 277 Vac

480 VA Ballast @ 277 Vac

*Not rated for Electronic Ballast*

600 Watt Tungsten @ 120 Vac (N/O)

240 Watt Tungsten @ 120 Vac (N/C)

1/3 HP @ 120-240 Vac (N/O)

1/6 HP @ 120-240 Vac (N/C)

1/4 HP @ 277 Vac (N/O)

1/8 HP @ 277 Vac (N/C)

### Coil Voltage Input:

10-30 Vac/dc ; 120 Vac ; 50-60 Hz (RIBU1S)

10-30 Vac/dc ; 208-277 Vac ; 50-60 Hz (RIBH1S)

Drop Out = 2.1 Vac / 2.8 Vdc

Pull In = 9 Vac / 10 Vdc

### Coil Current:

33 mA @ 10 Vac      13 mA @ 10 Vdc

35 mA @ 12 Vac      15 mA @ 12 Vdc

46 mA @ 24 Vac      18 mA @ 24 Vdc

55 mA @ 30 Vac      20 mA @ 30 Vdc

28 mA @ 120 Vac (RIBU1S)

39 mA @ 208-277 Vac (RIBH1S)

### Notes:

- Order Normally Closed by adding "-NC" to end of model number